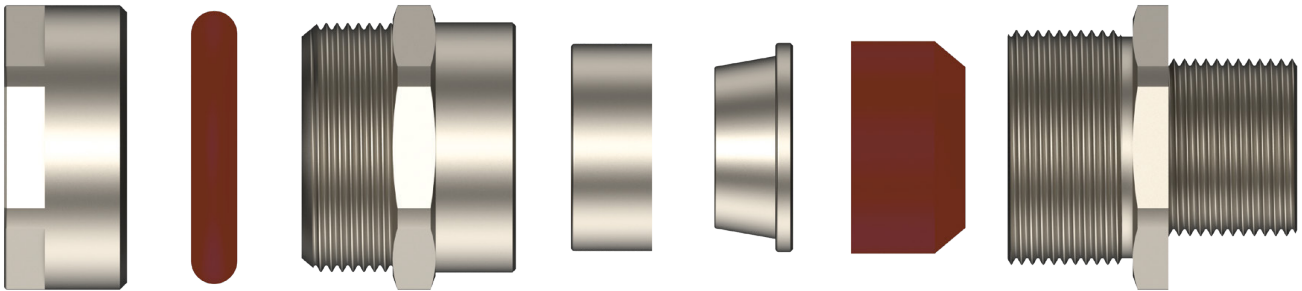


# Cable Glands for All Types of Armoured Cables

VOLANS



Technical Details		
<b>Material</b>	<b>Body, Cap</b>	Brass, Brass Nickel Plated, Stainless Steel, Galvanized Carbon Steel, Aluminium (only for some sizes)
	<b>Inner Parts</b>	Brass, Brass Nickel Plated, Stainless Steel, Galvanized Carbon Steel, Aluminium (only for some sizes)
	<b>Seal</b>	Halogen Free Silicone
	<b>O-ring</b>	Halogen Free Silicone
<b>Ingress Protection Rating</b>	IP 68 - 5 Bar, 30 min IP 66	
<b>Operating Temperature</b>	<b>Seal Material</b>	<b>Silicone</b>
		-60°C to +130°C
<b>Thread Type</b>	<ul style="list-style-type: none"> <li>• Metric (M) ISO Pitch 1,5</li> <li>• NPT (N) ANSI ASME B1.20.1</li> <li>• Other thread types also available upon request.</li> </ul>	
<b>Cable Type</b>	SWA - SWB - STA - PWA - AWA - Shielded	
<b>Accessories</b>	<ul style="list-style-type: none"> <li>• Lock nuts</li> <li>• Deluge Seal</li> <li>• Gaskets (Washers)</li> <li>• Serrated Washers</li> <li>• Earth tags</li> <li>• Shroud</li> </ul>	
	<ul style="list-style-type: none"> <li>• Accessories must be ordered separately.</li> </ul>	
<b>Remarks</b>		

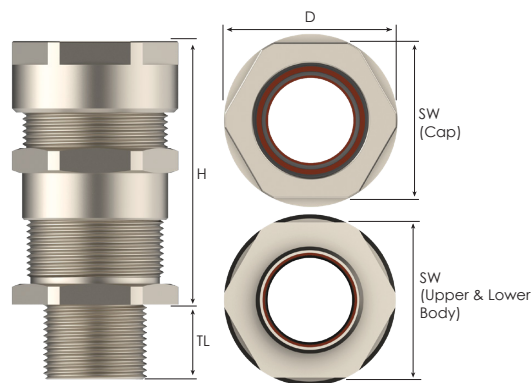


**Order Coding**

Part Number	Material	Seal	-	Gasket (Washer)	Serrated Washer	Lock Nut	Shroud	Earth Tag	Deluge Seal
Mandatory	Mandatory	Mandatory	-	Option	Option	Option	Option	Option	Option
See table	B Brass BN Brass nickel plated X Stainless steel 316L A Aluminium	S Silicone	-	WS Silicone WF Fiber WP Polyamide	WSR Serrated washer	L Lock nut	S Shroud	E Earth tag	D Deluge Seal
Example									
VOL-E1SM	BN	S	-	WS	WSR	L	S	E	D

# VOLANS

## Cable Glands for All Types of Armoured Cables

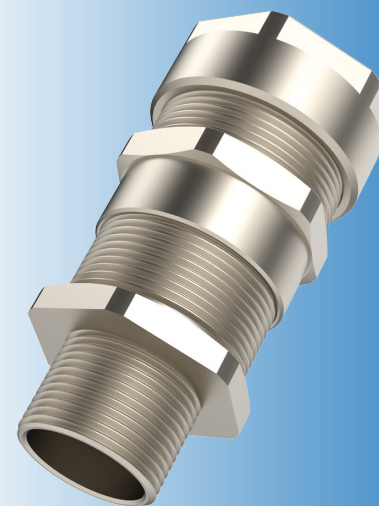


Thread Type **METRIC** acc. to ISO 965 - 3

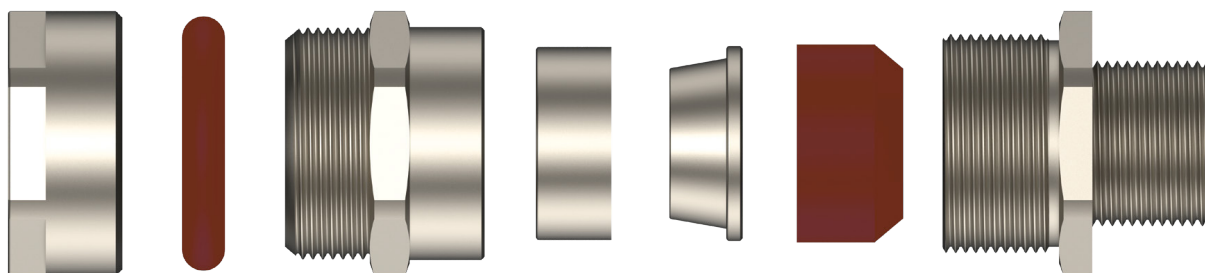
Outer Thread Size (Male)	Clamping Range		Armour Wire Ø min-max mm	Shield Wire Ø min-max mm	Outer Thread Length TL mm	Spanner Width			Outer Ø D mm	max. Height H mm	Part Number
	Inner Sheath Ø min-max mm	Ø min-max mm				Cap SW Cap mm	Upper Body SW Upper Body mm	Lower Body SW Lower Body mm			
M12x1,5	3,0 - 8,0	5,5 - 12,0	0,8 - 1,25	0,2 - 0,8	15,0	22	21	21	24,0	57,0	VOL-E0SM
M16x1,5	3,0 - 8,0	5,5 - 12,0	0,8 - 1,25	0,2 - 0,8	15,0	22	21	24	26,5	57,0	VOL-E01SM
	6,0 - 12,0	9,0 - 16,0	0,8 - 1,25	0,2 - 0,8	15,0	24	25	24	26,5	57,0	VOL-E01M
M20x1,5	3,0 - 8,0	5,5 - 12,0	0,8 - 1,25	0,2 - 0,8	15,0	22	21	30	33,0	57,0	VOL-E1XSM
	6,0 - 12,0	9,0 - 16,0	0,8 - 1,25	0,2 - 0,8	15,0	24	25	30	33,0	57,0	VOL-E1SM
M25x1,5	6,0 - 14,0	12,0 - 20,0	0,8 - 1,25	0,2 - 0,8	15,0	30	30	30	33,0	60,0	VOL-E1M
	6,0 - 12,0	9,0 - 16,0	0,8 - 1,25	0,2 - 0,8	15,0	24	25	36	39,8	57,0	VOL-E2XSM
M25x1,5	6,0 - 14,0	12,0 - 20,0	0,8 - 1,25	0,2 - 0,8	15,0	30	30	36	39,8	60,0	VOL-E2SM
	11,0 - 20,0	16,0 - 26,0	1,25 - 1,6	0,2 - 0,8	15,0	36	36	36	39,8	66,0	VOL-E2M
M32x1,5	6,0 - 14,0	12,0 - 20,0	0,8 - 1,25	0,2 - 0,8	15,0	30	30	46	51,0	60,0	VOL-E3XSM
	11,0 - 20,0	16,0 - 26,0	1,25 - 1,6	0,2 - 0,8	15,0	36	36	46	51,0	66,0	VOL-E3SM
M32x1,5	16,0 - 26,5	20,0 - 33,0	1,6 - 2,0	0,2 - 0,8	15,0	46	46	46	51,0	76,0	VOL-E3M
	11,0 - 20,0	16,0 - 26,0	1,25 - 1,6	0,2 - 0,8	15,0	36	36	55	62,5	66,0	VOL-E4XSM
M40x1,5	16,0 - 26,5	20,0 - 33,0	1,6 - 2,0	0,2 - 0,8	15,0	46	46	55	62,5	76,0	VOL-E4SM
	22,0 - 32,5	29,0 - 41,0	1,6 - 2,0	0,2 - 0,8	15,0	55	55	55	62,5	85,0	VOL-E4M
M50x1,5	16,0 - 26,5	20,0 - 33,0	1,6 - 2,0	0,2 - 0,8	15,0	46	46	65	74,5	76,0	VOL-E5XSM
	22,0 - 32,5	29,0 - 41,0	1,6 - 2,0	0,2 - 0,8	15,0	55	55	65	74,5	85,0	VOL-E5SM
M50x1,5	29,0 - 44,0	36,0 - 52,0	1,8 - 2,5	0,2 - 1,0	15,0	65	65	65	74,5	100,0	VOL-E5M
	22,0 - 32,5	29,0 - 41,0	1,6 - 2,0	0,2 - 0,8	15,0	55	55	80	91,0	85,0	VOL-E6XSM
M63x1,5	29,0 - 44,0	36,0 - 52,0	1,8 - 2,5	0,2 - 1,0	15,0	65	65	80	91,0	100,0	VOL-E6SM
	43,0 - 56,0	50,0 - 65,0	1,8 - 2,5	0,2 - 1,0	15,0	80	80	80	91,0	102,0	VOL-E6M
M75x1,5	29,0 - 44,0	36,0 - 52,0	1,8 - 2,5	0,2 - 1,0	15,0	65	65	95	106,0	100,0	VOL-E7XSM
	43,0 - 56,0	50,0 - 65,0	1,8 - 2,5	0,2 - 1,0	15,0	80	80	95	106,0	102,0	VOL-E7SM
M75x1,5	54,0 - 68,0	61,0 - 78,0	1,8 - 2,5	0,2 - 1,0	15,0	95	95	95	106,0	115,0	VOL-E7M
	43,0 - 56,0	50,0 - 65,0	1,8 - 2,5	0,2 - 1,0	20,0	80	80	106	118,0	102,0	VOL-E80XSM
M80x1,5	54,0 - 68,0	61,0 - 78,0	1,8 - 2,5	0,2 - 1,0	20,0	95	95	106	118,0	115,0	VOL-E80SM
	65,0 - 75,0	75,0 - 89,0	2,0 - 3,5	0,3 - 1,0	20,0	106	106	106	118,0	126,0	VOL-E80M
M90x1,5	54,0 - 68,0	61,0 - 78,0	1,8 - 2,5	0,2 - 1,0	20,0	95	95	106	118,0	115,0	VOL-E8SM
	65,0 - 78,0	75,0 - 89,0	2,0 - 3,5	0,3 - 1,0	20,0	106	106	106	118,0	126,0	VOL-E8M
M100x1,5	65,0 - 78,0	75,0 - 89,0	2,0 - 3,5	0,3 - 1,0	20,0	106	106	127	139,0	126,0	VOL-E9SM
	76,0 - 92,0	88,0 - 104,0	2,5 - 4,0	0,3 - 1,0	20,0	127	127	127	139,0	134,0	VOL-E9AM

# Cable Glands for All Types of Armoured Cables

VOLANS



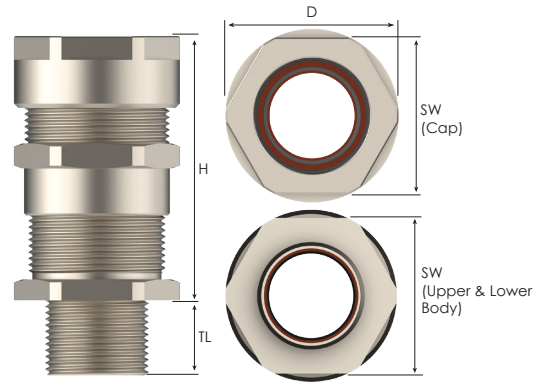
Technical Details		
<b>Material</b>	<b>Body, Cap</b>	Brass, Brass Nickel Plated, Stainless Steel, Galvanized Carbon Steel, Aluminium (only for some sizes)
	<b>Inner Parts</b>	Brass, Brass Nickel Plated, Stainless Steel, Galvanized Carbon Steel, Aluminium (only for some sizes)
	<b>Seal</b>	Halogen Free Silicone
	<b>O-ring</b>	Halogen Free Silicone
<b>Ingress Protection Rating</b>	IP 68 - 5 Bar, 30 min IP 66	
<b>Operating Temperature</b>	<b>Seal Material</b>	<b>Silicone</b>
		-60°C to +130°C
<b>Thread Type</b>	<ul style="list-style-type: none"> <li>• Metric (M) ISO Pitch 1,5</li> <li>• NPT (N) ANSI ASME B1.20.1</li> <li>• Other thread types also available upon request.</li> </ul>	
<b>Cable Type</b>	SWA - SWB - STA - PWA - AWA - Shielded	
<b>Accessories</b>	<ul style="list-style-type: none"> <li>• Lock nuts</li> <li>• Deluge Seal</li> <li>• Gaskets (Washers)</li> <li>• Serrated Washers</li> <li>• Earth tags</li> <li>• Shroud</li> </ul>	
	<b>Remarks</b>	
	<ul style="list-style-type: none"> <li>• Accessories must be ordered separately.</li> </ul>	



Order Coding									
Part Number	Material	Seal	-	Gasket (Washer)	Serrated Washer	Lock Nut	Shroud	Earth Tag	Deluge Seal
Mandatory	Mandatory	Mandatory	-	Option	Option	Option	Option	Option	Option
See table	B Brass BN Brass nickel plated X Stainless steel 316L A Aluminium	S Silicone	-	WS Silicone WF Fiber WP Polyamide	WSR Serrated washer	L Lock nut	S Shroud	E Earth tag	D Deluge Seal
Example	BN	S	-	WS	WSR	L	S	E	D

# VOLANS

## Cable Glands for All Types of Armoured Cables



Thread Type **NPT** acc. to ANSI ASME B1.20.1

Outer Thread Size (Male)	Clamping Range		Armour Wire Ø min-max mm	Shield Wire Ø min-max mm	Outer Thread Length TL mm	Spanner Width		Outer Ø D mm	max. Height H mm	Part Number
	Inner Sheath Ø min-max mm	Ø min-max mm				Cap SW Cap mm	Upper Body SW Upper Body mm			
NPT 3/8"	3,0 - 8,0	5,5 - 12,0	0,8 - 1,25	0,2 - 0,8	15,0	22	21	26,5	57,0	VOL-E01SN
	6,0 - 12,0	9,0 - 16,0	0,8 - 1,25	0,2 - 0,8	15,0	24	25	26,5	57,0	VOL-E01N
NPT 1/2"	3,0 - 8,0	5,5 - 12,0	0,8 - 1,25	0,2 - 0,8	15,0	22	21	33,0	57,0	VOL-E1XSN
	6,0 - 12,0	9,0 - 16,0	0,8 - 1,25	0,2 - 0,8	15,0	24	25	33,0	57,0	VOL-E15SN
	6,0 - 14,0	12,0 - 20,0	0,8 - 1,25	0,2 - 0,8	15,0	30	30	33,0	60,0	VOL-E1N
NPT 3/4"	6,0 - 12,0	9,0 - 16,0	0,8 - 1,25	0,2 - 0,8	15,0	24	25	39,8	57,0	VOL-E2XSN
	6,0 - 14,0	12,0 - 20,0	0,8 - 1,25	0,2 - 0,8	15,0	30	30	39,8	60,0	VOL-E2SN
	11,0 - 20,0	16,0 - 26,0	1,25 - 1,6	0,2 - 0,8	15,0	36	36	39,8	66,0	VOL-E2N
NPT 1"	6,0 - 14,0	12,0 - 20,0	0,8 - 1,25	0,2 - 0,8	15,0	30	30	51,0	60,0	VOL-E3XSN
	11,0 - 20,0	16,0 - 26,0	1,25 - 1,6	0,2 - 0,8	15,0	36	36	51,0	66,0	VOL-E3SN
	16,0 - 26,5	20,0 - 33,0	1,6 - 2,0	0,2 - 0,8	15,0	46	46	51,0	76,0	VOL-E3N
NPT 1 1/4"	11,0 - 20,0	16,0 - 26,0	1,25 - 1,6	0,2 - 0,8	15,0	36	36	62,5	66,0	VOL-E4XSN
	16,0 - 26,5	20,0 - 33,0	1,6 - 2,0	0,2 - 0,8	15,0	46	46	62,5	76,0	VOL-E4SN
	22,0 - 32,5	29,0 - 41,0	1,6 - 2,0	0,2 - 0,8	15,0	55	55	62,5	85,0	VOL-E4N
NPT 1 1/2"	16,0 - 26,5	20,0 - 33,0	1,6 - 2,0	0,2 - 0,8	15,0	46	46	74,5	76,0	VOL-E5XSN
	22,0 - 32,5	29,0 - 41,0	1,6 - 2,0	0,2 - 0,8	15,0	55	55	74,5	85,0	VOL-E5SN
	29,0 - 41,0	36,0 - 52,0	1,8 - 2,5	0,2 - 1,0	15,0	65	65	74,5	100,0	VOL-E5N
NPT 2"	22,0 - 32,5	29,0 - 41,0	1,6 - 2,0	0,2 - 0,8	15,0	55	55	80	85,0	VOL-E6XSN
	29,0 - 44,0	36,0 - 52,0	1,8 - 2,5	0,2 - 1,0	15,0	65	65	80	100,0	VOL-E6SN
	43,0 - 53,0	50,0 - 65,0	1,8 - 2,5	0,2 - 1,0	15,0	80	80	80	102,0	VOL-E6N
NPT 2 1/2"	29,0 - 44,0	36,0 - 52,0	1,8 - 2,5	0,2 - 1,0	15,0	65	65	95	100,0	VOL-E7XSN
	43,0 - 56,0	50,0 - 65,0	1,8 - 2,5	0,2 - 1,0	15,0	80	80	95	102,0	VOL-E7SN
	54,0 - 63,0	61,0 - 78,0	1,8 - 2,5	0,2 - 1,0	15,0	95	95	95	106,0	VOL-E7N
NPT 3"	43,0 - 56,0	50,0 - 65,0	1,8 - 2,5	0,2 - 1,0	15,0	80	80	106	102,0	VOL-E8XSN
	54,0 - 68,0	61,0 - 78,0	1,8 - 2,5	0,2 - 1,0	15,0	95	95	106	115,0	VOL-E8SN
	65,0 - 78,0	75,0 - 89,0	2,0 - 3,5	0,3 - 1,0	20,0	106	106	106	126,0	VOL-E8N
NPT 3 1/2"	54,0 - 68,0	61,0 - 78,0	1,8 - 2,5	0,2 - 1,0	15,0	95	95	106	115,0	VOL-E9SN
	65,0 - 78,0	75,0 - 89,0	2,0 - 3,5	0,3 - 1,0	20,0	106	106	106	126,0	VOL-E9N
NPT 4"	65,0 - 78,0	75,0 - 89,0	2,0 - 3,5	0,3 - 1,0	20,0	106	106	127	126,0	VOL-E10SN
	76,0 - 92,0	88,0 - 104,0	2,5 - 4,0	0,3 - 1,0	20,0	127	127	127	134,0	VOL-E10N